

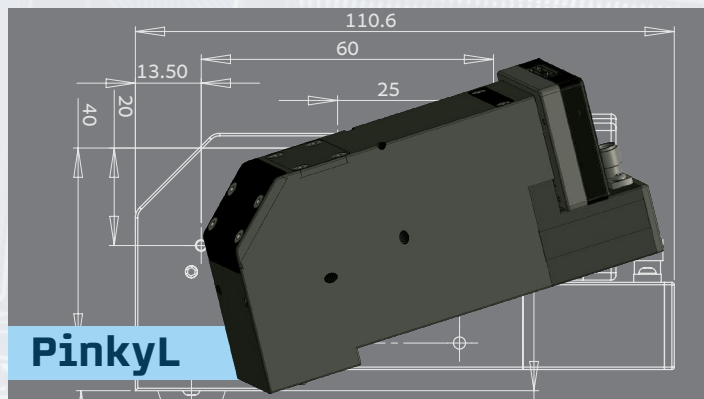


Innovative finger-size microscope

Omek Pinky Vis Microscope

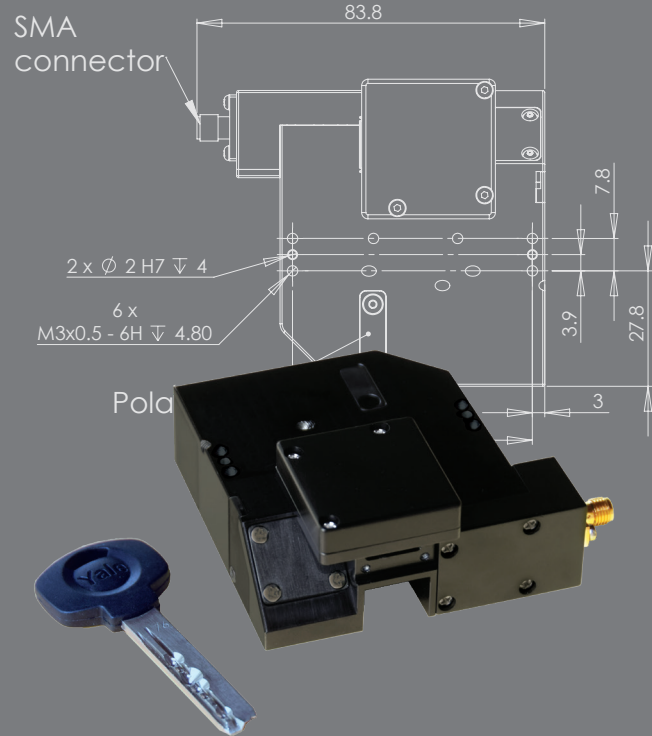
High-End miniature Ultra-lightweight OEM microscope

- » Objective NA 0.12
- » Extremely Large FOV (2.4 x 4.2 mm)
- » Delivered with Image Sensor and LED Source.
- » Built-in Auxiliary Port



Applications:

- » Semiconductor (Front-End and Back-End)
- » PCB, FPD, Solar Cells, LED
- » Mems
- » Dicing
- » Robotics
- » Cell Imaging



Specifications:

Object Side NA	0.12
Object Size	2.4 x 4.2 mm (Diagonal 4.8mm)
Working Distance	PinkyU-5x: 5.9mm PinkyL-5x: 20.6mm
Resolution	2.1 microns
Distortion	Less than 0.01%
Overall Weight	260 Gram
Spectral Range	Visible
Illumination	Bright Field LED Kohler Layout
Ave. Telecentricity	Less than 2 mRad
Options:	a. Auxiliary Port (for Laser, Auto Focus, Spectrometers, Vibrometers) b. Dark Field Ring Illumination c. Filter/Polarizer Option in Illumination Arm d. Analyzer Option in Imaging Arm

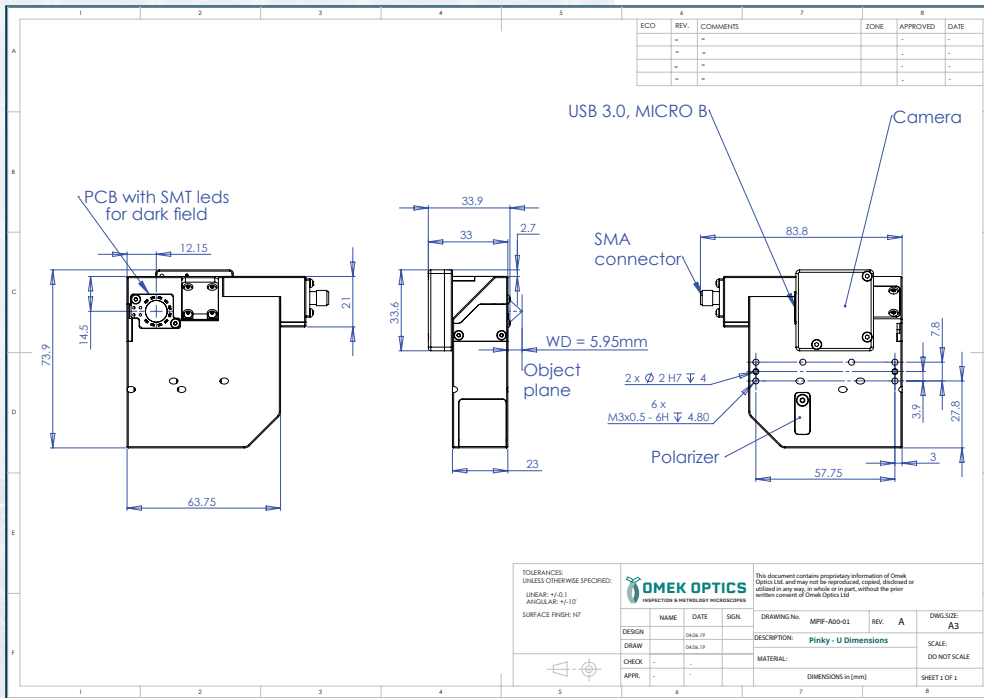
CMOS CAMERA

Shutter	Rolling Shutter
Sensor Type	CMOS
Sensor Format	1/3.7"
Resolution (HxV)	1920 px X 1080 px
Pixel Size (H x V)	2.2 µm x 2.2 µm
Frame Rate	30 fps

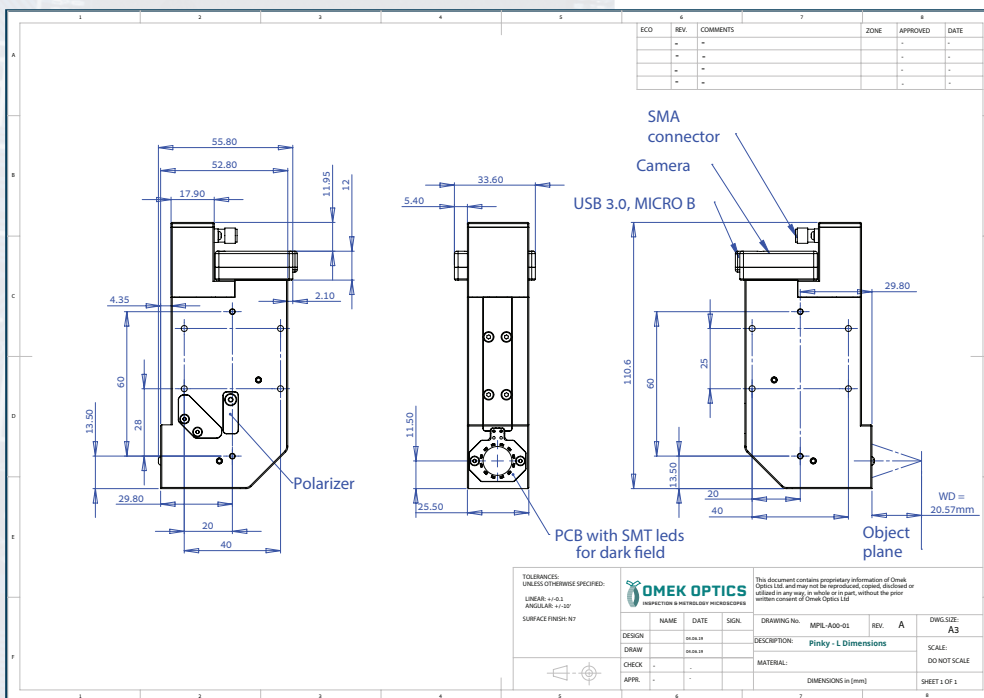
*specifications are subject to change without any obligation on the part of the manufacturer



Pinky Mechanical Dimensions (in mm)



PinkyU-5x: Low "Flat" profile 5.9mm WD



PinkyL-5x: Larger Vertical profile yet 20.6mm WD